



The engineer's choice

ebmpapst

412 F/2H-038

INDEX

1 General 3

2 Mechanics 3

 2.1 General 3

 2.2 Connections 3

3 Operating Data 4

 3.1 Operating Data - Electrical Interface - Input 4

 3.2 Electrical Operating Data 5

 3.3 Operating Data - Electrical Interface -Output 6

 3.4 Electrical Features 7

 3.5 Aerodynamic 8

 3.6 Sound Data 9

4 Environment 9

 4.1 General 9

 4.2 Climatic requirements*) 9

5 Safety 10

 5.1 Electrical Safety 10

 5.2 Approval Tests 10

6 Reliability 10

 6.1 General 10

1 General

Fan type	Fan	
Rotational direction looking at rotor	counterclockwise	
Airflow direction	Air outlet over struts	
Bearing system	Sleeve bearing	
Mounting position	any	

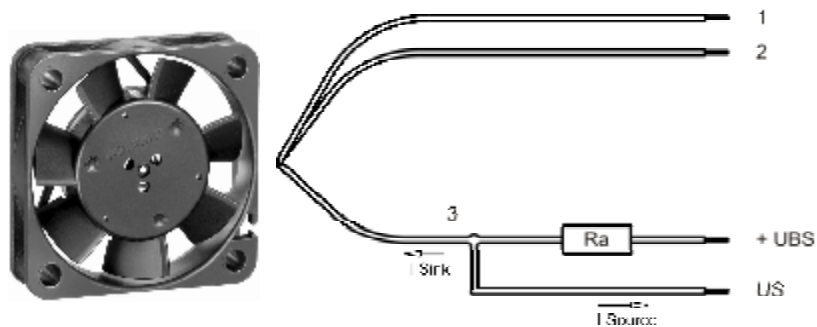
2 Mechanics

2.1 General

Width	40,0 mm	
Height	40,0 mm	
Depth	10,0 mm	
Weight	0,017 kg	
Housing material	Plastic	
Impeller material	Plastic	
Max. torque when mounted across both mounting flanges	wire outlet corner: 50 Ncm remaining corners: 70 Ncm	
Screw size	ISO 4762 - M3 degreased, without an additional brace and without washer	

2.2 Connections

Electrical connection	Wires - Plug	
Length of lead wire	300 mm	
Tolerance	± 10,0 mm	
Wire gauge (AWG)	28	
Insulation diameter	0,98 mm	
Contact	see drawing	



	Colour	Operation
Wire 1	red	+ UB
Wire 2	blue	- GND
Wire 3	white	Tacho

The auxiliaries shown on the schematic diagram (which are required for the intended use) are not part of our delivery.

3 Operating Data

3.1 Operating Data - Electrical Interface - Input

Control input	None
---------------	------

3.2 Electrical Operating Data

Measurement conditions: Normal air density = 1,2 kg/m³; Temperature 23°C +/- 3°C; Motor axis horizontal; warm-up time before measuring 5 minutes (unless otherwise specified). In the intake and outlet area should not be any solid obstruction within 0,5 m.

$\Delta p = 0$: corresp. to free air flow (see section 3.5)
 I: corresp. to arithm. mean current value

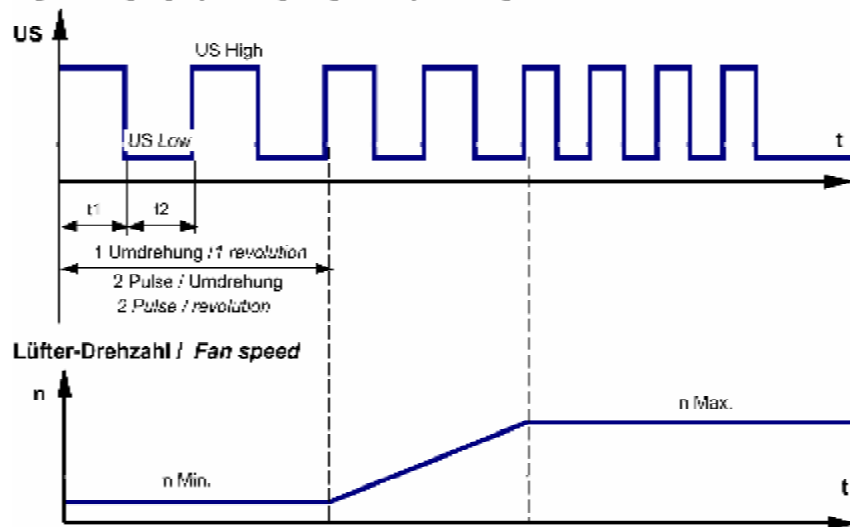
Features	Condition	Symbol	Values		
Voltage range	$\Delta p = 0$	U	10,0 V		14,0 V
Nominal voltage	$\Delta p = 0$	U_N		12,0 V	
Power consumption	$\Delta p = 0$	P	0,6 W	0,8 W	1,1 W
Tolerance	0001		+/- 17,5 %	+/- 12,5 %	+/- 15,0 %
Current consumption	$\Delta p = 0$	I	60 mA	70 mA	80 mA
Tolerance	0001		+/- 17,5 %	+/- 12,5 %	+/- 17,5 %
Speed	$\Delta p = 0$	n	4.900 1/min	6.000 1/min	7.000 1/min
Tolerance	0001		+/- 15,0 %	+/- 10,0 %	+/- 15,0 %
Starting current consumption				137 mA	

3.3 Operating Data - Electrical Interface -Output

Tacho type	/2 (Open collector)
------------	---------------------

Signal-Ausgangsspannung / Signal output voltage

$$R_a = \frac{U_{BS} - U_{S\ Low}}{I_{Sink}}$$

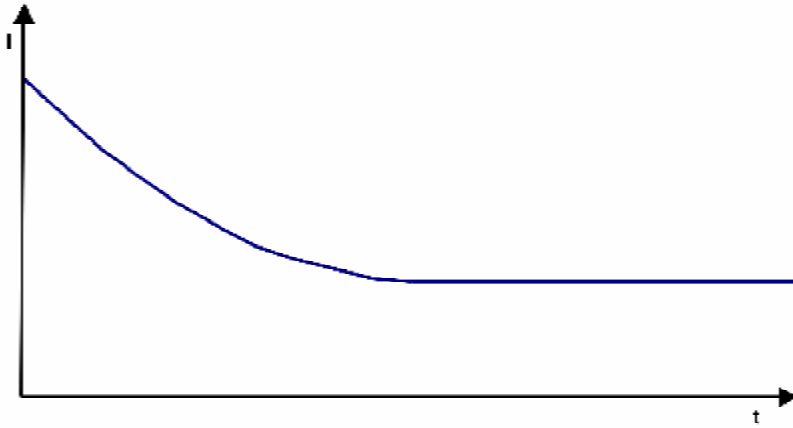


Features	Note	Values
Tacho operating voltage (UBS)		<= 30 V
Tacho signal Low	I sink: 1 mA	<= 0,4 V
Tacho signal High	I source: 0 mA	<= 30 V
Maximum sink current		<= 2 mA
Maximum source current		0 mA
External resistor	External resistor Ra from UBS to US required. All voltages measured to GND.	
Tacho frequency	(2 x n) / 60	
Tacho isolated from motor	No	
Slew rate		=> 0,5 V/us

Alarm type	None
------------	------

3.4 Electrical Features

Electronic function	None	
Reversed polarity protection	Rectifying diode	
Max. residual current at U_n	$I_F \leq 30 \text{ nA}$	
Locked rotor protection	Impedance protected	
Locked rotor current at U_n		



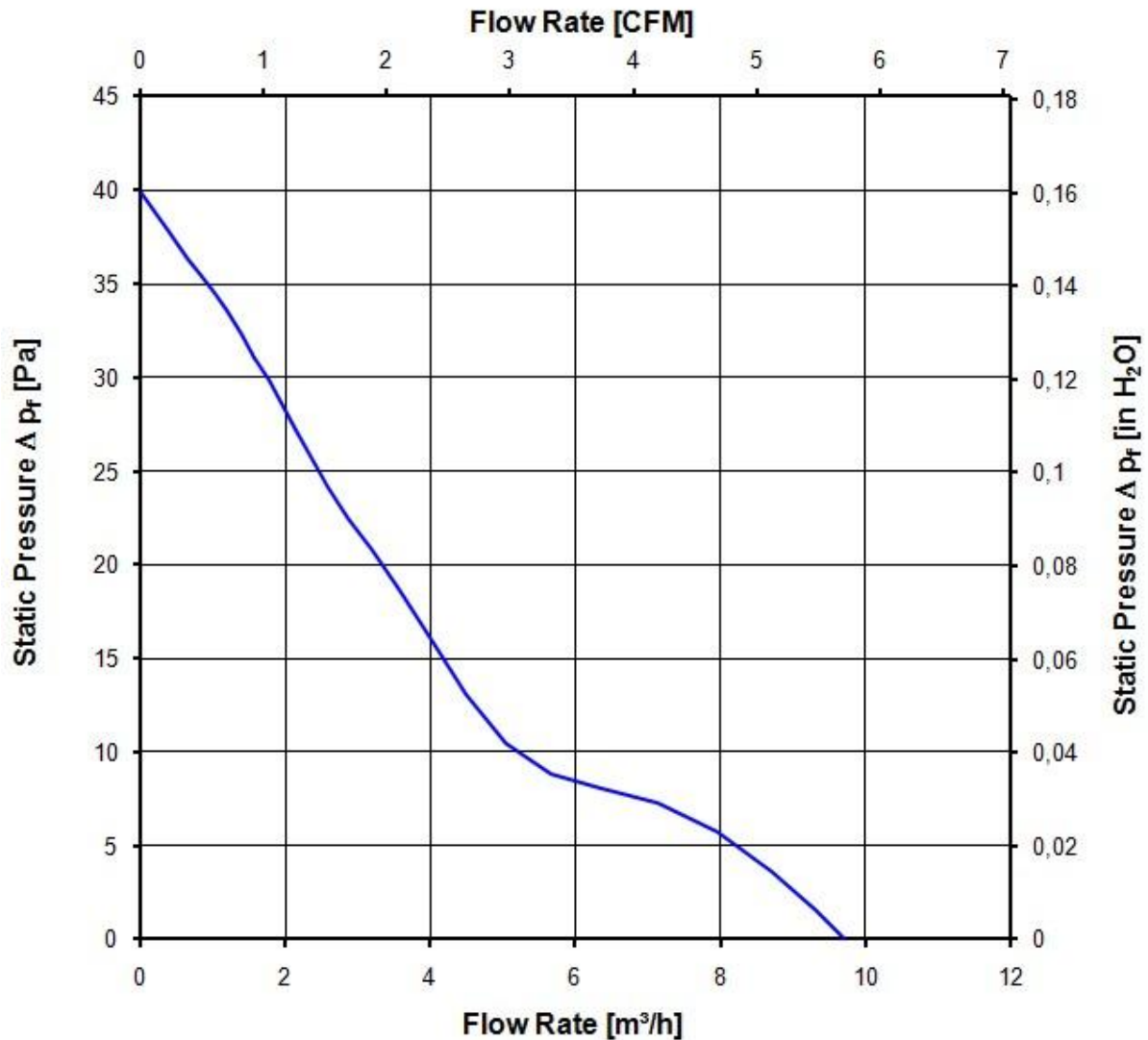
3.5 Aerodynamic

Measurement conditions: Measured with a double chamber intake rig acc. to DIN EN ISO 5801.
 Normal air density = 1,2 kg/m³; Temperature 23°C +/- 3°C;
 In the intake and outlet area should not be any solid obstruction within 0,5 m.

a.) Operation condition:

6.000 1/min at free air flow

Max. free-air flow ($\Delta p = 0 / \dot{V} = \text{max.}$)	10,0 m ³ /h	
Max. static pressure ($\Delta p = \text{max.} / \dot{V} = 0$)	40 Pa	



3.6 Sound Data

Measurement conditions: Sound pressure level: 1 Meter distance between microphone and the air intake.
 Sound power level: Acc. to DIN 45635 part 38 (ISO 10302)
 Measured in a semianchoic chamber with a background noise level of $L_p(A) < 5 \text{ dB(A)}$
 For further measurement conditions see section 3.5

a.) Operation condition:

6.000 1/min at free air flow		
Optimal operating point	10,0 m ³ /h @ 0 Pa	
Sound power level at the optimal operating point	4,4 bel(A)	
Sound pressure level at free air flow, measured in rubber bands	26,0 dB(A)	

4 Environment

4.1 General

Min. permitted ambient temperature TU min.	-20 °C	
Max. permitted ambient temperature TU max.	70 °C	
Min. permitted storage temperature TL min.	-40 °C	
Max. permitted storage temperature TL max.	80 °C	

4.2 Climatic requirements *)

Humidity requirements	humid heat, constant; according to DIN EN 60068-2-78, 14 days	
Water exposure	None	
Radiation exposure	None	
Dust requirements	None	
Salt fog requirements	None	
Harmful gas requirements	None	

*) Permitted application area:

The product is intended for use in sheltered rooms with controlled temperature and controlled humidity. Directly exposure to water must be avoided.

Pollution degree 1 (according DIN EN 60664-1)

There is either no pollution or it occurs only dry, non-conductive pollution. The pollution has no negative impact. Please require severity levels and specification parameters from the responsible development departments

5 Safety

5.1 Electrical Safety

Dielectric strength DIN EN 60950 (VDE 0805) and DIN EN 60335 (VDE 0700) A.) Type test Measuring conditions: After 48h of storage at 95% R.H. and 25°C. No arcing or breakdown is allowed! All connections together to ground.	Not applicable	
B.) Routine test Measuring conditions: At indoor climate. No arcing or breakdown is allowed! All connections together to ground.	Not applicable	
Isolation resistance Measuring conditions: After 48h of storage at 95% R.H. and 25°C measured with U=500 VDC for 1 min.	RI > 10 MOhm	
Air and leakage distances	1,0 mm / 1,2 mm	
Protection class	III	

5.2 Approval Tests

CE	Yes
UL	Yes / UL507, Electric Fans
VDE	Yes / Approval acc. to EN 60950 (VDE 0805) - Information technology equipment
CSA	Yes / C22.2 No. 113 Fans and Ventilators
CCC	No

The approval tests are observed to:

U approval max.: 14,0 V @ TU approval max.: 70,0 °C

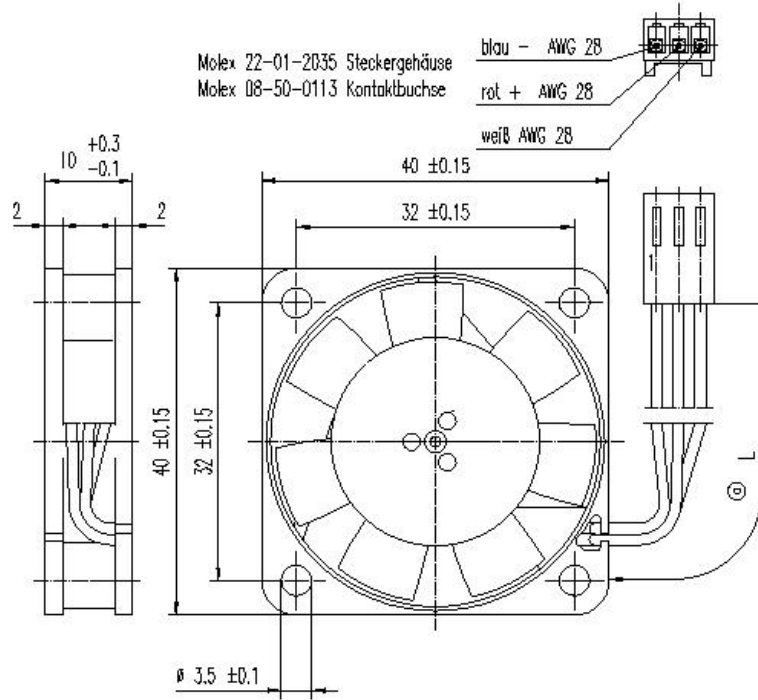
6 Reliability

6.1 General

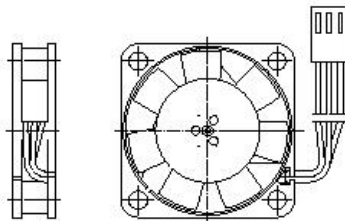
Life expectancy L10 at TU = 20 °C	45.000 h	
Life expectancy L10 at TU = 40 °C	30.000 h	
Life expectancy L10 at TU = 60 °C	15.000 h	
Life expectancy L10 at TU max.	10.000 h	
Life expectancy L10 Delta (40 °C)	47.500 h	

Zeichnung des Erzeugnisses und der Zeichnung des Ersatzteilens sind Eigentum der PAPST-MOTOREN GmbH & Co. KG. Nachdruck, Vervielfältigung und Verbreitung, auch auszugsweise, ist ohne schriftliche Genehmigung der PAPST-MOTOREN GmbH & Co. KG.

Schnittzeichnung nach DIN 3: beschriften



M 1:1



- 082
- 210
- 232
- 235
- 240
- 243
- 326X
- 426X
- 516

Allgemeintoleranzen		gilt für: 929 1705 024 412 F/2H-024 L=90±5		Ⓐ	
		929 1705 038 412 F/2H-038 L=306±10		Ⓑ	
		929 1705 039 412 FS-039 L=300±10		Ⓒ	
		929 1705 041 412 F/2H-041 L=136±10		Ⓓ	
		Datum	Name	Artikel	Helfstab
		Erstellt			
		Geprüft			
b					
		PAPST		Zchg.-Nr.	
Index	And.-Nr.	Datum	Geändert von	PAPST-MOTOREN GmbH & Co KG	Blatt
Zur Verwendung im Verteiler freigegeben von		an		D-78112 St. Georgen Germany	
				Erst-Zchg:	