

**MICRO SWITCH**

A DIVISION OF MINNEAPOLIS-HONEYWELL REGULATOR COMPANY  
PINEBROOK, ILLINOIS

FED. MFR. CODE 91929

# ACTUATOR - SWITCH

CATALOG LISTING

## JX - 48

JX - 48

M

DRAWING NUMBER

X

X

ISSUE

5

8

REPLACES

SR 10519

RELEASE NO.

CHECK

DES 17 FEB 61

CHECK

DES 17 FEB 61

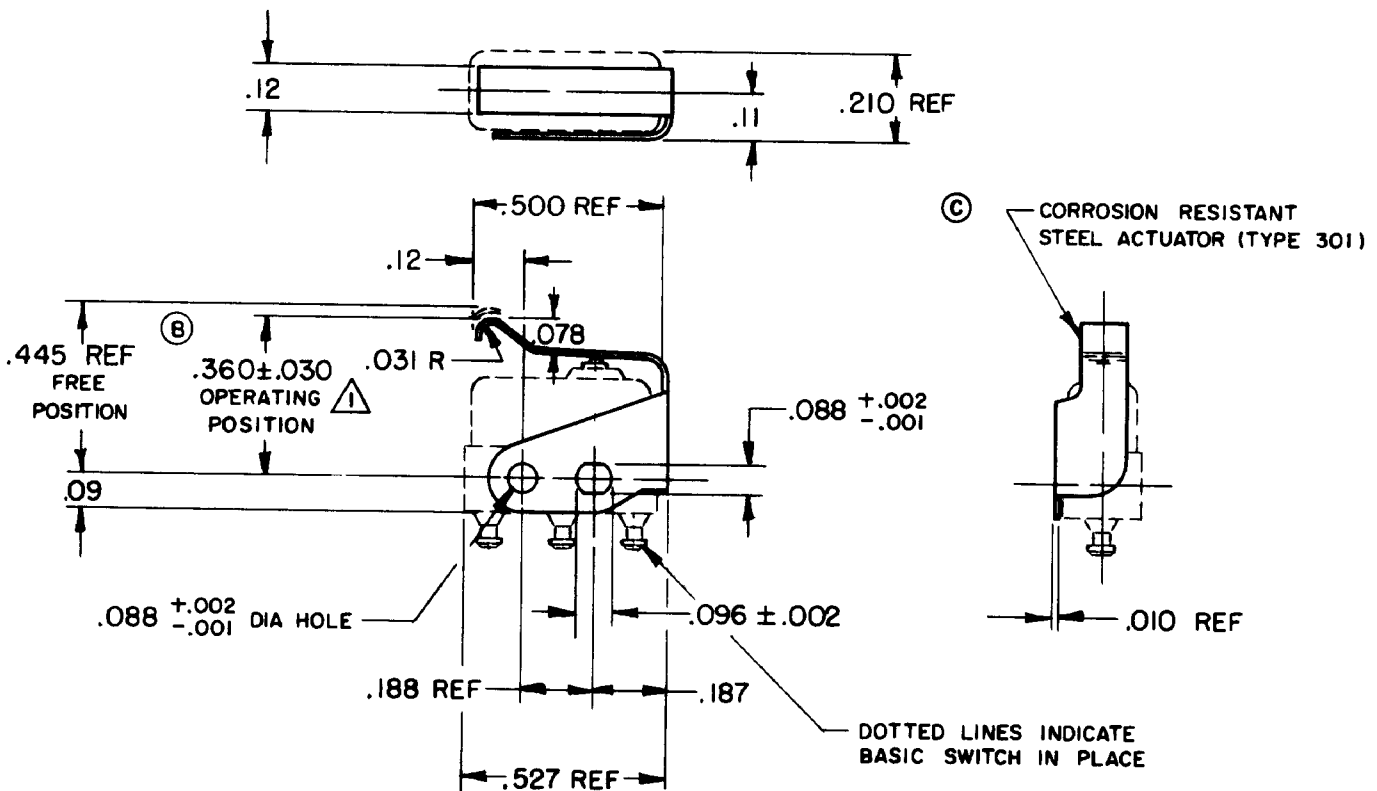
CHECK

FEB 61

FEB 61

FEB 61

FEB 61



NOTE -  
 ⚠️ SLIGHT ROTATION BETWEEN BASIC AND ACTUATOR MAY BE NECESSARY TO OBTAIN OPERATING POSITION, BASED ON USING NO. 2-56 MACHINE SCREWS

THIS DRAWING COVERS A PROPRIETARY ITEM AND IS THE PROPERTY OF MICRO SWITCH, A DIVISION OF MINNEAPOLIS-HONEYWELL REGULATOR CO. THIS DRAWING IS NOT TO BE COPIED OR USED WITHOUT THE APPROVAL OF MICRO SWITCH.

**CHARACTERISTICS WITH ISXI-T BASIC SWITCH INSTALLED**

OPERATING FORCE	-----	10 OZ MAX
RELEASE FORCE	-----	2 OZ MIN
DIFFERENTIAL TRAVEL	-----	.025 MAX
OVERTRAVEL	-----	.015 MIN

**ELECTRICAL DATA**

CONTACT ARRANGEMENT	BREAK DISTANCE
---------------------	----------------

SCALE 2 TO 1

DO NOT SCALE PRINT

UNLESS OTHERWISE SPECIFIED

DIMENSIONS ARE IN INCHES

**TOLERANCES ARE:**

ONE PLACE	(.0)	±.030
TWO PLACE	(.00)	±.015
THREE PLACE	(.000)	±.008
ANGLES		±

WEIGHT

FO-50378

DRAWN

K L B