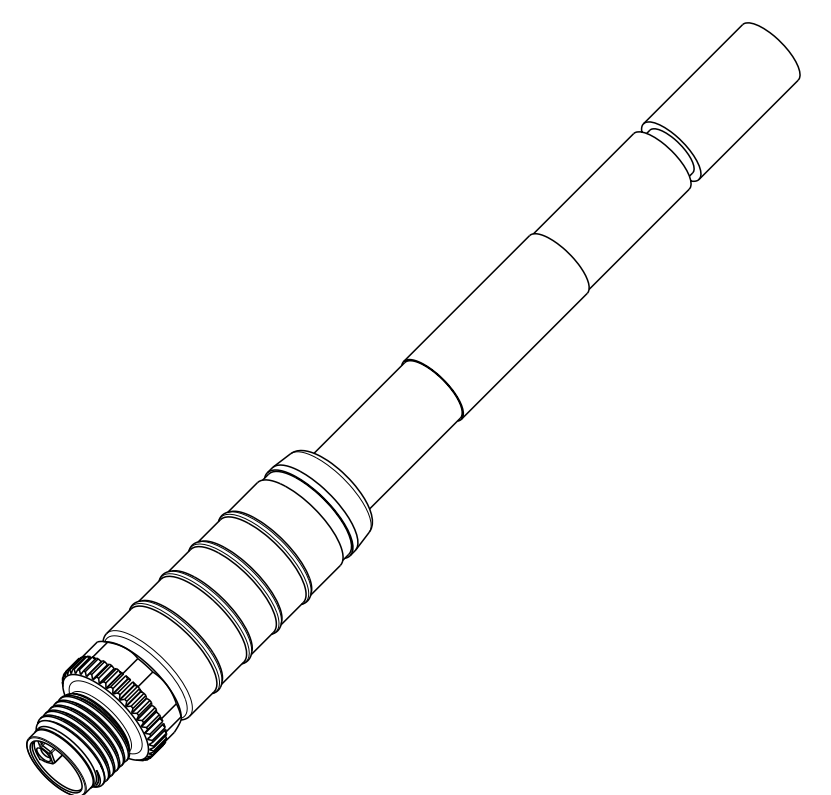
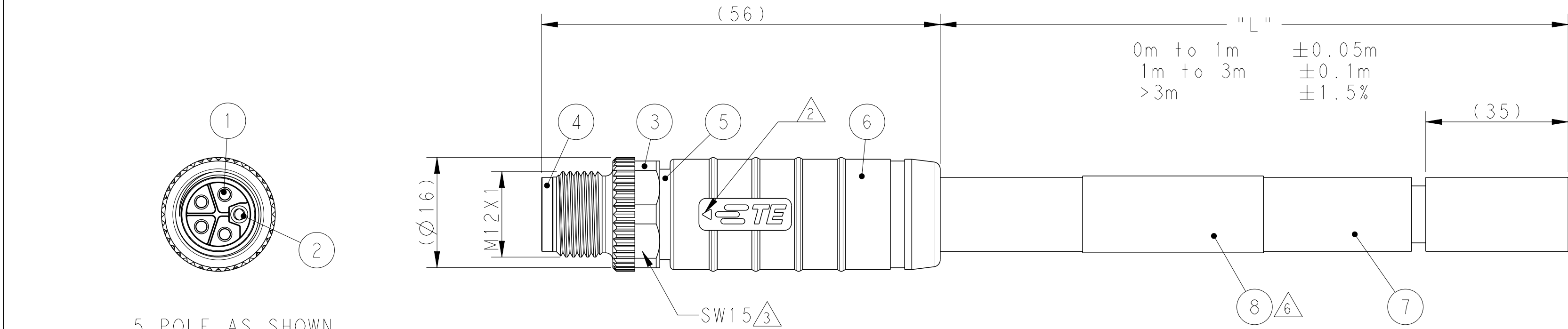


THIS DRAWING IS UNPUBLISHED. RELEASED FOR PUBLICATION  
 © COPYRIGHT copyright.d8Te- ALL RIGHTS RESERVED.

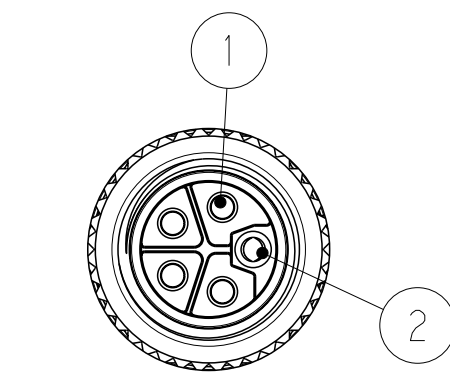
ITEM	DESCRIPTION	MATERIAL	OTHERS
1	MALE CONTACT	COPPER ALLOY	GOLD PLATED
2	FE FEMALE CONTACT	COPPER ALLOY	GOLD PLATED
3	MALE NUT	COPPER ALLOY	NICKEL PLATED
4	MALE HOUSING	NYLON	BLACK 4P GRAY 5P
5	METAL SHELL	COPPER ALLOY	NICKEL PLATED
6	CONNECTOR GRIP	TPU	BLACK
7	CABLE	PVC/PUR JACKET	BLACK OR GRAY
8	LABEL	-	-

REVISIONS				
P	LTR	DESCRIPTION	DATE	APVD
	A	NEW RELEASE	01FEB2021	AZ CW

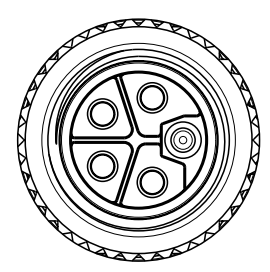
NOTE:  
 1. TECHNICAL DATA SEE TABLE 1  
 2. CODE POSITION INDICATOR  
 3. RECOMMENDED TORQUE 0.6 Nm  
 4. -\*: CABLE LENGTH, FOR EXAMPLE: -0.5M  
 5. CABLE ASSEMBLY TO BE PACKAGED IN POLYBAGS  
 6. LABEL CONTAINS: PN, DATE CODE...



SCALE 1:1



5 POLE AS SHOWN



4 POLE AS SHOWN

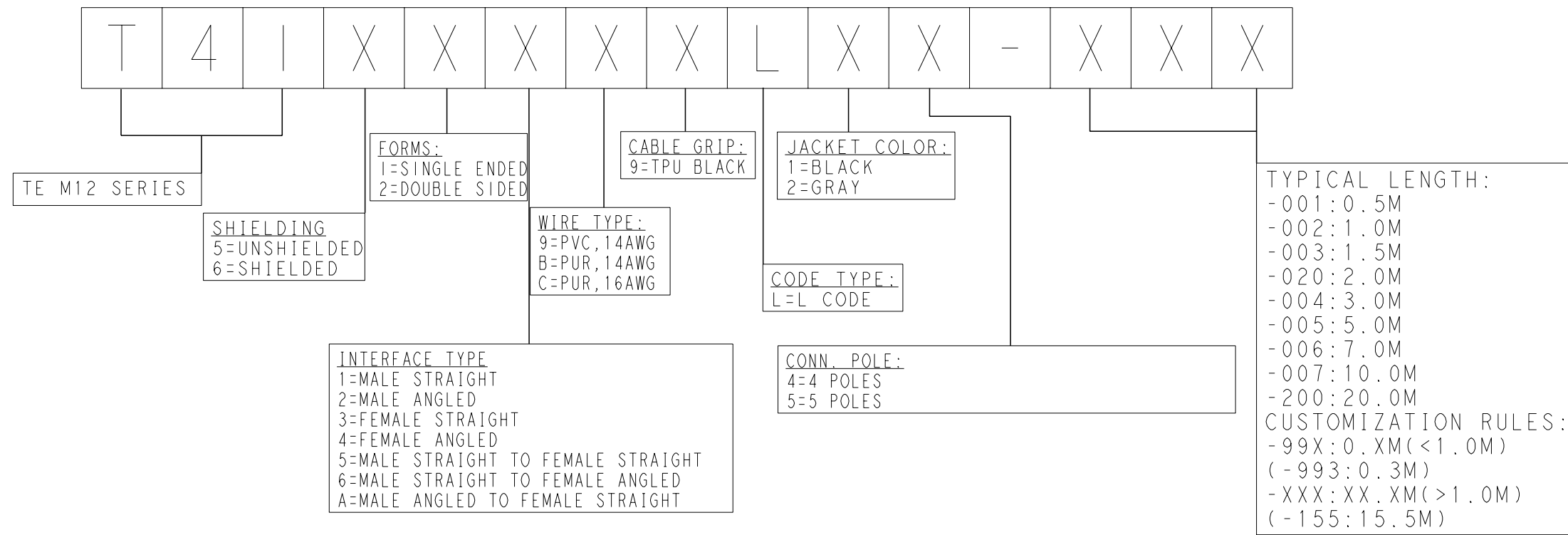
TECHNICAL DATA	
RATED VOLTAGE	63V
RATED IMPULSE VOLTAGE	1500V
RATED CURRENT	16A/14AWG 12A/16AWG
POLLUTION DEGREE	3
OVERVOLTAGE CATEGORY	III
DEGREE OF PROTECTION	IP67

THIS DRAWING IS A CONTROLLED DOCUMENT.		DWN	04NOV2020	TE Connectivity	
		CHK	04NOV2020		
		APVD	04NOV2020		
		PRODUCT SPEC	108-137350		
DIMENSIONS: mm 		TOLERANCES UNLESS OTHERWISE SPECIFIED: 0 PLC ±1 1 PLC ±0.5 2 PLC ±0.30 3 PLC ± 4 PLC ± ANGLES ± FINISH -		NAME M12 L CODE CORDSETS MALE STRAIGHT	
MATERIAL		APPLICATION SPEC		SIZE	RESTRICTED TO
		114-137144		A2	-
		WEIGHT		CAGE CODE	DRAWING NO
		-		-	G-T41X11XXLXXXX
		CUSTOMER DRAWING		SCALE	SHEET
				2:1	1 OF 2
				REV	A

THIS DRAWING IS UNPUBLISHED. RELEASED FOR PUBLICATION  
 © COPYRIGHT copyright.d8Te- ALL RIGHTS RESERVED.

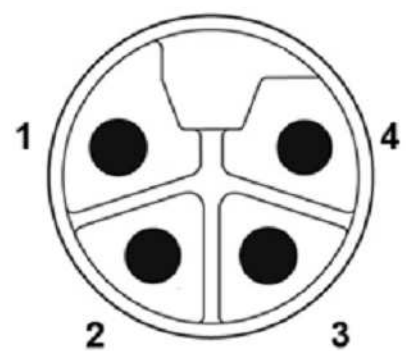
REVISIONS				
P	LTR	DESCRIPTION	DATE	APVD
-		SEE SHEET 1	-	-

**TE PN CODING:**

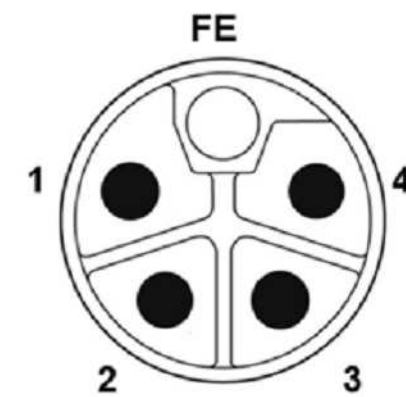


**CIRCUIT DIAGRAM L CODE**

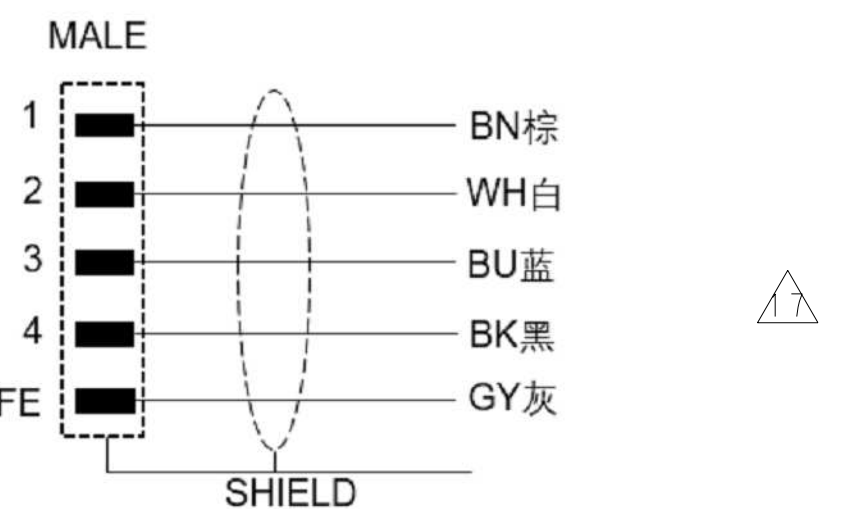
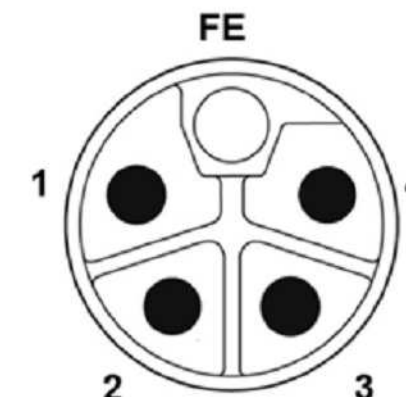
**CIRCUIT DIAGRAM UNSHIELDED 4P**



**CIRCUIT DIAGRAM UNSHIELDED 5P**



**CIRCUIT DIAGRAM SHIELDED 5P**



<p>WIRES: 5X14AWG            JACKET: PUR GRAY            WIRE COLOR: BROWN/WHITE/BLUE/BLACK/GRAY            OD: APPROX. 10.40mm            TEMPERATURE RATING: 80°C UL            TEMP RATING:            -50°C TO +80°C FIXED            -30°C TO +80°C MOVED            SUITABLE FOR DRAG CHAIN APPLICATIONS</p>
<p>WIRES: 5X16AWG            JACKET: PUR GRAY            WIRE COLOR: BROWN/WHITE/BLUE/BLACK/GRAY            OD: APPROX. 9.10mm            TEMPERATURE RATING: 80°C UL            TEMP RATING:            -50°C TO +80°C FIXED            -30°C TO +80°C MOVED            SUITABLE FOR DRAG CHAIN APPLICATIONS</p>
<p>WIRES: 5X14AWG            JACKET: PUR GRAY            WIRE COLOR: BROWN/WHITE/BLUE/BLACK/GRAY            OD: APPROX. 9.65mm            TEMPERATURE RATING: 80°C UL            TEMP RATING:            -50°C TO +80°C FIXED            -30°C TO +80°C MOVED            SUITABLE FOR DRAG CHAIN APPLICATIONS</p>
<p>WIRES: 5X14AWG            JACKET: PVC GRAY            WIRE COLOR: BROWN/WHITE/BLUE/BLACK/GRAY            OD: APPROX. 10.1mm            TEMPERATURE RATING: 80°C UL            TEMP RATING:            -40°C TO +80°C FIXED            -20°C TO +80°C MOVED</p>
<p>WIRES: 4X16AWG            JACKET: PUR BLACK            WIRE COLOR: BROWN/WHITE/BLUE/BLACK            OD: APPROX. 8.4mm            TEMPERATURE RATING: 80°C UL            TEMP RATING:            -50°C TO +80°C FIXED            -30°C TO +80°C MOVED            SUITABLE FOR DRAG CHAIN APPLICATIONS</p>
<p>WIRES: 4X14AWG            JACKET: PVC BLACK            WIRE COLOR: BROWN/WHITE/BLUE/BLACK            OD: APPROX. 9.5mm            TEMPERATURE RATING: 80°C UL            TEMP RATING:            -40°C TO +80°C FIXED            -20°C TO +80°C MOVED</p>

**TYPICAL LENGTH:**

- 001: 0.5M
- 002: 1.0M
- 003: 1.5M
- 020: 2.0M
- 004: 3.0M
- 005: 5.0M
- 006: 7.0M
- 007: 10.0M
- 200: 20.0M

**CUSTOMIZATION RULES:**

- 99X: 0.XM (<1.0M)
- (-993: 0.3M)
- XXX: XX.XM (>1.0M)
- (-155: 15.5M)

CABLE CHARACTERISTIC	LENGTH "L"	TYPE	POS.	HSG COLOR	SHIELDING	TABLE 2 TE PN
RPC-M12L-5MS-**-SH PUR 14AWG GY	4	5	GRAY	Y	T41611B9L25-XXX	17
RPC-M12L-5MS-**-PUR 16AWG GY	4	5	GRAY	N	T41511C9L25-XXX	16
RPC-M12L-5MS-**-PUR 14AWG GY	4	5	GRAY	N	T41511B9L25-XXX	16
RPC-M12L-5MS-**-PVC 14AWG GY	4	5	GRAY	N	T4151199L25-XXX	16
RPC-M12L-4MS-**-PUR 16AWG BK	4	4	BLACK	N	T41511C9L14-XXX	15
RPC-M12L-4MS-**-PVC 14AWG BK	4	4	BLACK	N	T4151199L14-XXX	15

THIS DRAWING IS A CONTROLLED DOCUMENT.

DWN: ALEX ZHANG 04NOV2020  
 CHK: HART HE 04NOV2020  
 APVD: CHRIS WANG 04NOV2020

**STE** TE Connectivity

NAME: M12 L CODE CORDSETS MALE STRAIGHT

PRODUCT SPEC: 108-137350  
 APPLICATION SPEC: 114-137144

SIZE: A2 CAGE CODE: - DRAWING NO: G-T41X11XXLXXXXX RESTRICTED TO: -

MATERIAL: - FINISH: - WEIGHT: - CUSTOMER DRAWING SCALE: 2:1 SHEET 2 OF 2 REV: A